

THERMATIC DOME

Small Room Protection Fire Suppression System

SEVO® 1230
System Provider

Designed with:
3M Novec™ 1230
Fire Protection Fluid

Volume Coverage: 335, 890, 1480 & 1,900 ft³
(9.5, 25, 42, & 54 m³)

Thermatic Dome system is ceiling mounted in the middle of the hazard area, heat detection of fire by a U.L./U.L.C./FM Fast Response sprinkler bulb at 155°F, 175°F, or 200°F to initiate agent deployment. Spray pattern of sprinkler head maximum single container coverage volume of 300 up to 1,900 cu.ft.

Optional

Electrical actuator "Squib" available to link up to 4 systems together for increased room coverage. Electrical actuator can also be linked into wiring circuit for manual operation and/or wiring smoke or heat detectors.

Class A & C Fire Hazards

Determine volume of enclosure to be protected:

$L \times W \times H = \text{ft}^3 \times 0.0379$ (4.2% Design) = lbs needed

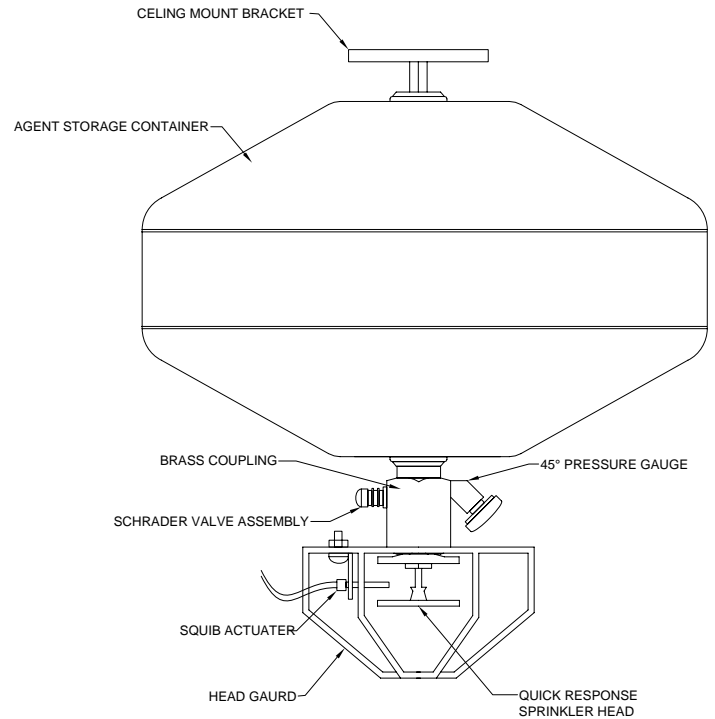
$L \times W \times H = \text{m}^3 \times 0.6101$ (4.2% Design) = kg needed

Or reference Class B fuels Design Concentration



Key Features

- Thermatically or electrically controlled
- No electrical wiring required
- No piping required – easy installation
- No external power supply necessary
- Ceiling mounted, position over critical area
- Reliable 24-hour protection
- Self contained



Volume Coverage (ft ³)	Volume Coverage (m ³)	Catalog Numbers	Qty (lbs.) Novec 1230
335	9.5	TD 12	12
890	25	TD 33	33
1,480	42	TD 56	56
1,900	54	TD 72	72